

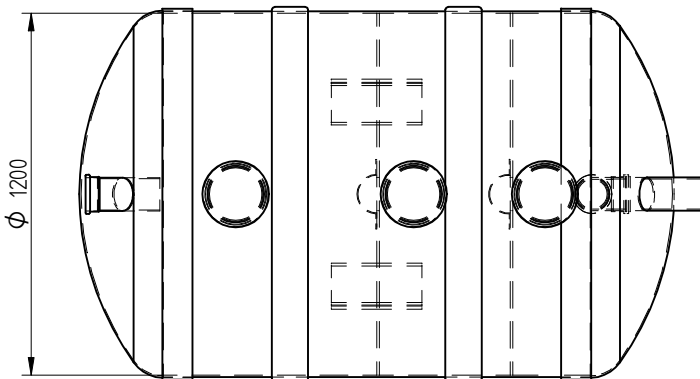
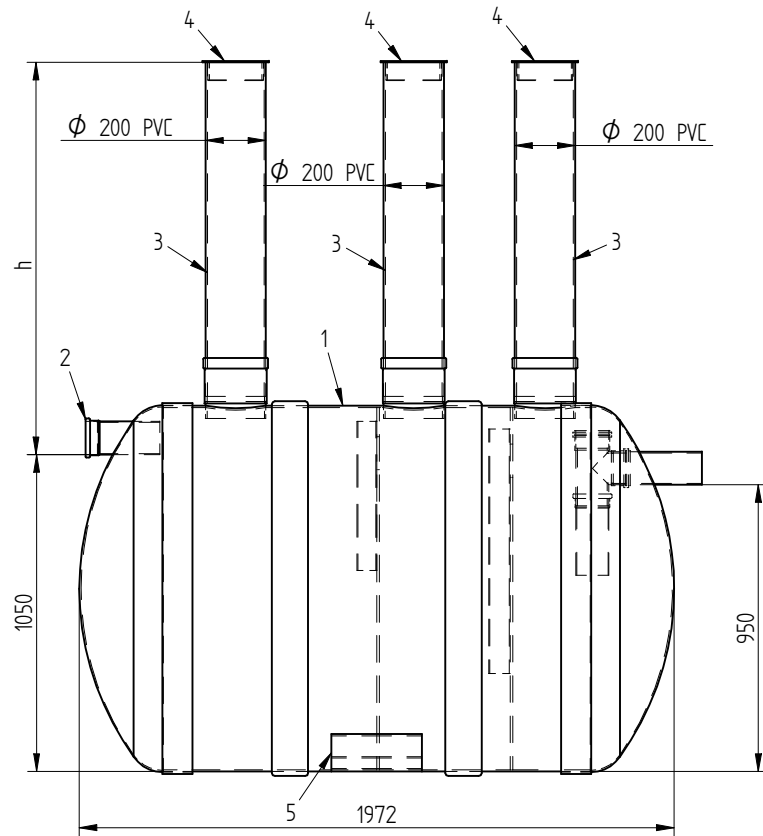
1 | 2 | 3 | 4 | 5 | 6

A

B

C

D



h= sisendtoru sügavus maapinnast

h= \_\_\_\_\_ mm (standardkõrgus 1300mm)

Märkused: \_\_\_\_\_

\_\_\_\_\_

\_\_\_\_\_

| Nr | Nimetus           | Materjal   | Mõõdud        | Tk |
|----|-------------------|------------|---------------|----|
| 1  | Korpus            | klaasplast | Ø1200, L=1972 | 1  |
| 2  | Sisendtoru        | PVC        | Ø110          | 1  |
| 3  | Tühjendustoru     | PVC        | Ø200          | 3  |
| 4  | Kaas (vali sobiv) | plast      | Ø200          |    |
|    |                   | malm       | Ø200          |    |
| 5  | Tugijalg          | klaasplast |               | 2  |

|       |        |           |        |            |    |
|-------|--------|-----------|--------|------------|----|
| Date  | Engin. | Signature | Sheets | Septik 2m3 |    |
|       |        |           |        | Name       |    |
| eccua |        |           |        | Mass       | Rv |
|       |        |           |        | Number     |    |